

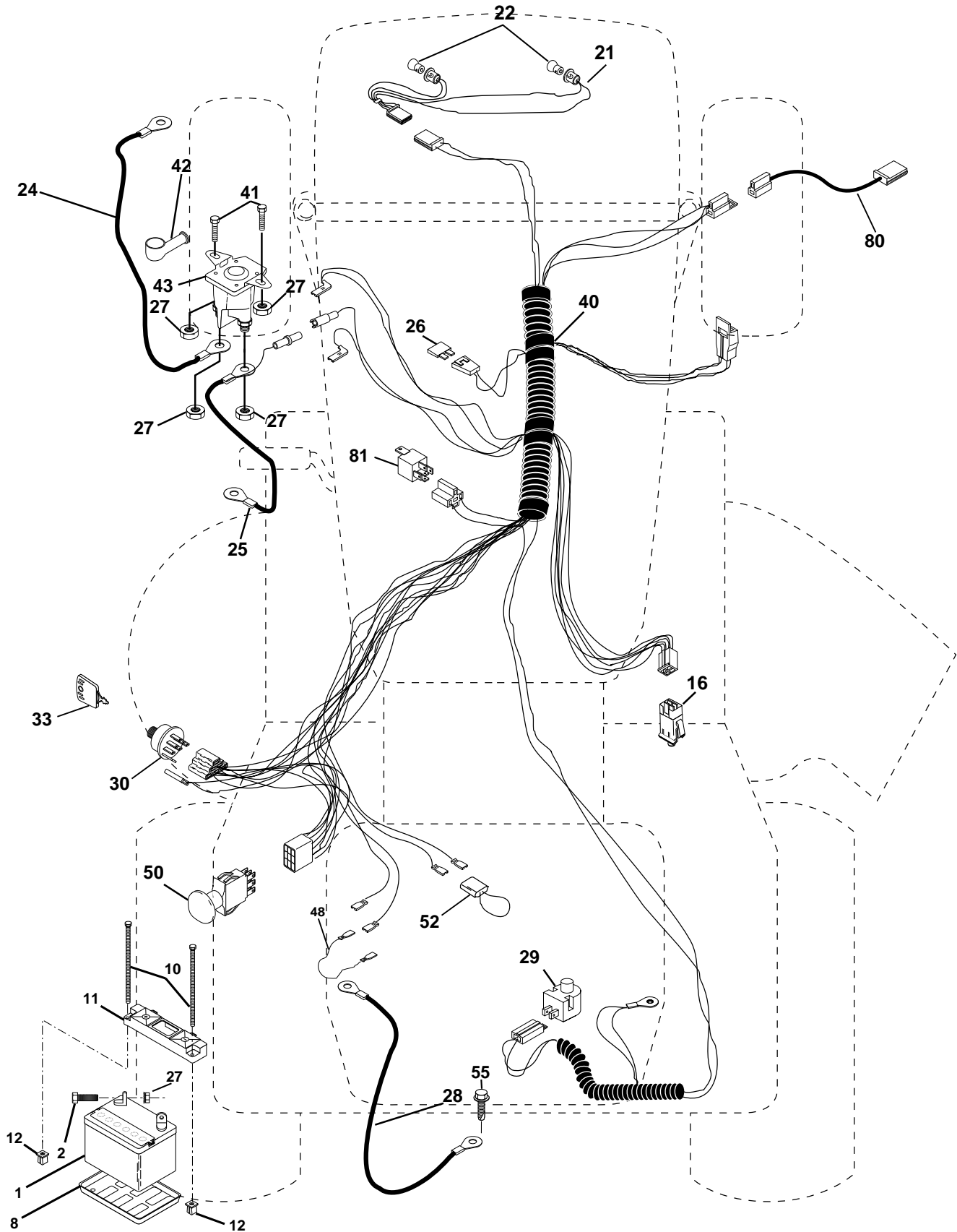
# LT16A

Spare parts  
Ersatzteile  
Pièces détachées  
Reserve onderdelen  
Repuestos  
Reservdelar

# REPAIR PARTS

TRACTOR - MODEL NO. LT16A (J816H42H), PRODUCT NO. 954 13 00-48

## ELECTRICAL



# REPAIR PARTS

TRACTOR - MODEL NO. LT16A (J816H42H), PRODUCT NO. 954 13 00-48

## ELECTRICAL

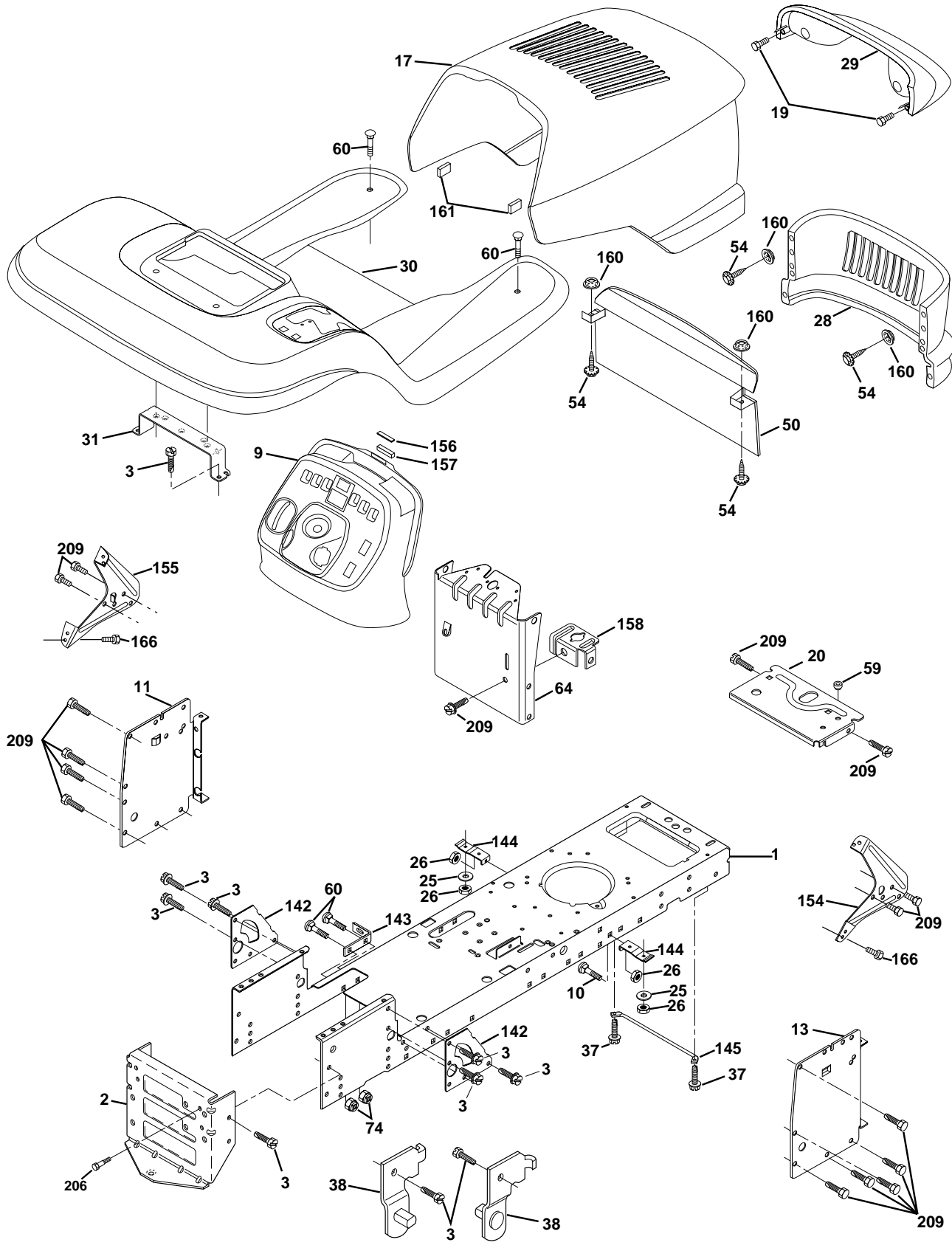
KEY NO.	PART NO.	DESCRIPTION
1	532144925	Battery
2	874760412	Bolt Hex Hd 1/4-20unc X 3/4
8	<b>532124886</b>	Tray Battery 7.80 x 5.25
10	<b>532145211</b>	Bolt Btr Frt 1/4-20 x 7.5
11	<b>532150109</b>	Holddown Battery Front
12	<b>532145769</b>	Nut Push Nylon 1/4
16	532153664	Switch Interlock Push-In
21	<b>532166184</b>	Harness Asm Light W/4152J
22	532004152	Bulb Light #1156
24	<b>532008860</b>	Cable Battery 6 Ga 11"red
25	<b>532146148</b>	Cable Battery 6 Ga W/16 Ga Wire 44"
26	<b>532175158</b>	Fuse 20 AMP
27	873510400	Nut Keps Hex 1/4-20 UNC
28	<b>532145491</b>	Cable Ground
29	532160784	Switch Plunger Normal Op Olive
30	<b>532175566</b>	Switch Ignition Delta Push-In
33	532140401	Key Ign Molded Generic Delta
40	<b>532170233</b>	Harness Ign.
41	<b>817720408</b>	Screw Thd Cut 1/4-20 x 1/2
42	532131563	Cover Terminal Red
43	<b>532175141</b>	Solenoid
48	<b>532140844</b>	Adapter Ammeter
50	<b>532174651</b>	Switch PTO
55	<b>817490508</b>	Screw Thdrol 5/16-18 x 1/2
52	532141940	Protection Wire Loop
80	532146685	Harness Clutch Evx
81	532109748	Relay Asm

**NOTE:** All component dimensions given in U.S. inches  
1 inch = 25.4 mm.

# REPAIR PARTS

TRACTOR - MODEL NO. LT16A (J816H42H), PRODUCT NO. 954 13 00-48

## CHASSIS AND ENCLOSURES



# REPAIR PARTS

TRACTOR - MODEL NO. LT16A (J816H42H), PRODUCT NO. 954 13 00-48

## CHASSIS AND ENCLOSURES

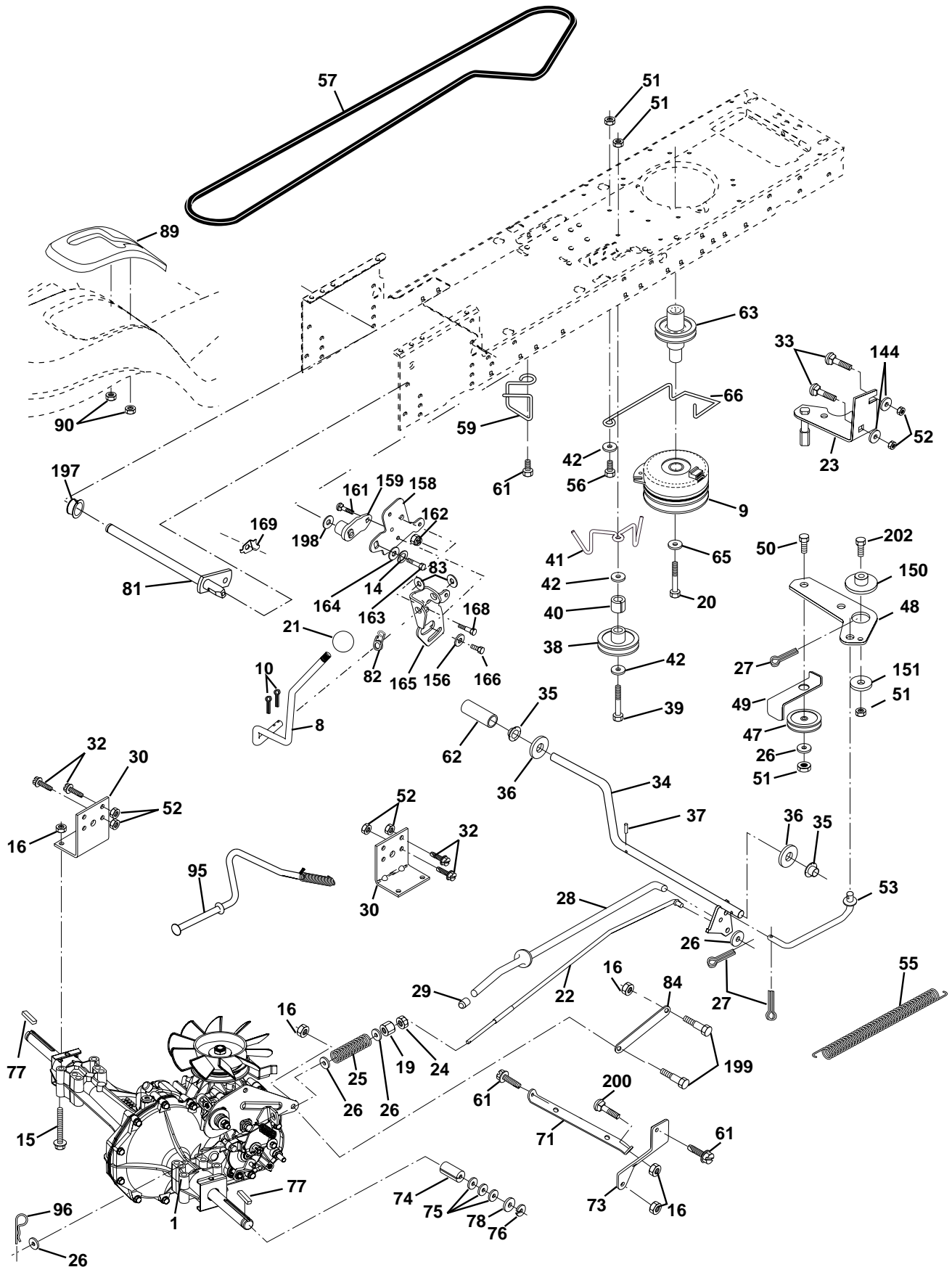
KEY NO.	PART NO.	DESCRIPTION
1	532169830	Chassis Wldmt.
2	532169061	Drawbar 12 Ga
3	817060612	Screw 3/8-16 x .75 SMGML Tap/R.Z
9	<b>532177150</b>	Dash
10	872140608	Bolt RdHd Sqnk. 3/8-16 x 1
11	<b>532167203</b>	Panel Asm. Dash Lh
12	532145660	Clip Tinnerman Grille P/L
13	<b>532167202</b>	Panel Dash Rh
17	<b>532177147</b>	Hood Pnt
19	<b>532164863</b>	Screw HWHD Hi Lo 13-16 x 3/4
20	<b>532162026</b>	Plate Mtg Battery
25	819131312	Washer 13/32 x 13/16 x 12 Ga.
26	873800600	Nut Lock Hex w/Ins 3/8-16 Unc
28	<b>532177148</b>	Grill w/Clips
29	<b>532160568</b>	Lens Grille
30	532172157	Fender /Frest Pnt STL
31	532139976	Bracket Fender
37	817490508	Screw Thdrol 5/16-18 x 1/2
38	532169834	Bracket Asm. Pvt. Mwr. Rear
50	<b>532161572</b>	Baffle Stealth
54	532161464	Screw Hex Wshd 8-18 x 7/8
59	<b>532110436</b>	Bushing Snap Split
60	872140606	Bolt Rdhd Sqnk 3/8-16 UNC x 3/4
64	<b>532162025</b>	Dash Lower
74	873680600	Nut, Crownlock 3/8-16 UNC
142	532165867	Plate Reinforcement STLT
143	532154966	Brace Axle
144	532154207	Bracket Footrest STLT
145	532156524	Rod Pivot Chassis/Hood
154	<b>532161897</b>	Bracket Dash STL RH
155	<b>532161900</b>	Bracket Dash STL LH
156	<b>532163805</b>	Striker Plate Stealth
157	<b>532163806</b>	Magnet Stealth
158	<b>532162037</b>	Bracket Parking Brake
160	<b>532162967</b>	Fastener Nut Pal
161	<b>532164655</b>	Extrusion Bumper
206	532170165	Bolt Shoulder 5/16-18
209	<b>817000612</b>	Screw Hexwsh Thdr 3/8-16 x 3/4

**NOTE:** All component dimensions given in U. S. inches  
1 inch = 25.4 mm

# REPAIR PARTS

TRACTOR - MODEL NO. LT16A (J816H42H), PRODUCT NO. 954 13 00-48

## DRIVE



# REPAIR PARTS

TRACTOR - MODEL NO. LT16A (J816H42H), PRODUCT NO. 954 13 00-48

## DRIVE

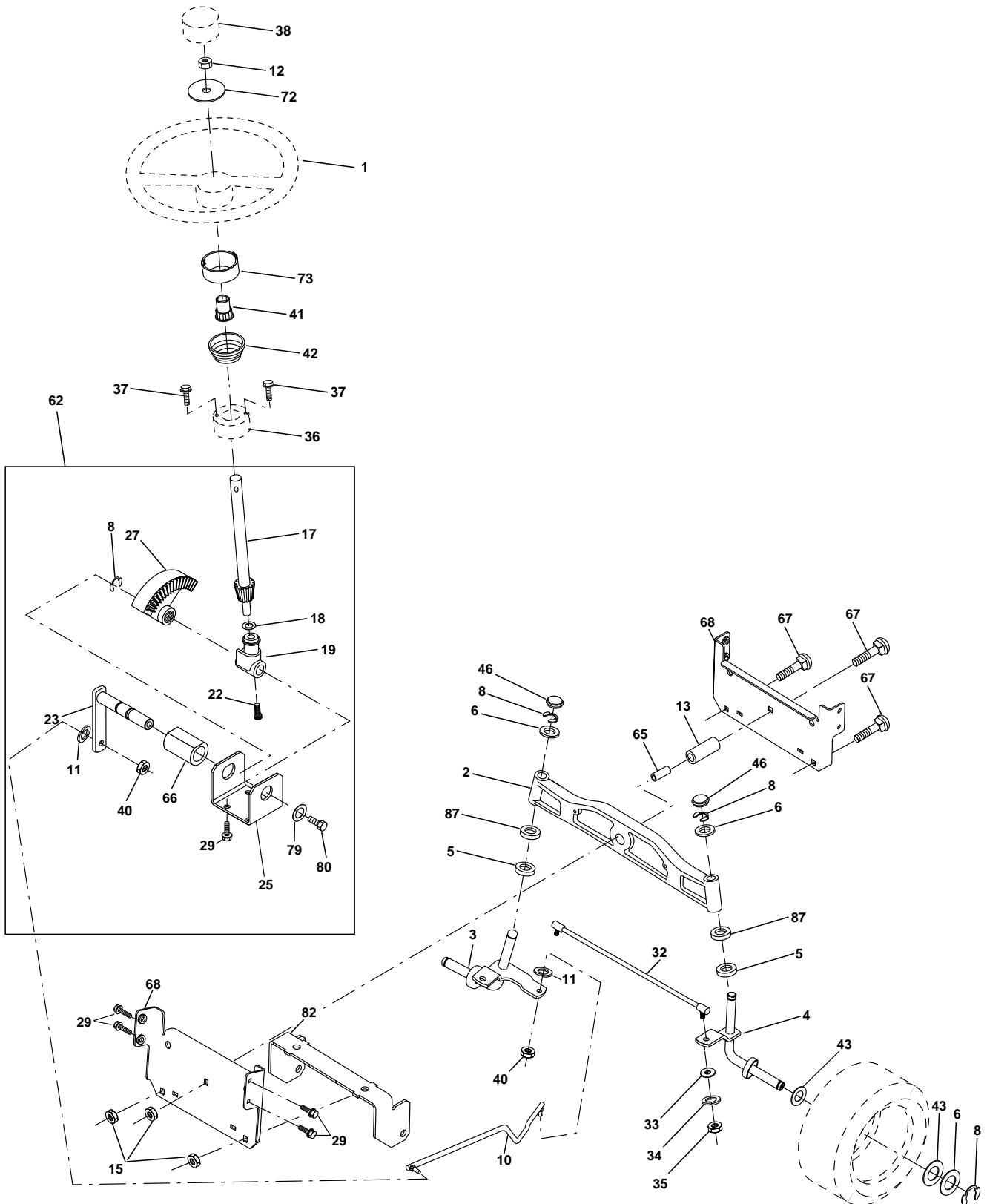
KEY NO.	PART NO.	DESCRIPTION	KEY NO.	PART NO.	DESCRIPTION
1	-----	Transaxle Hydro Gear 314-0510 Order parts from transaxle manufacturer	57	532140294	V-Belt, Ground Drive
8	532165866	Rod Shift Fender	59	532169691	Keeper, Center Span
9	532145028	Clutch Electric	61	817060612	Screw 3/8-16 x .75 SMGML Tap/R.Z
10	876020416	Pin Cotter 1/8 x 1 CAD	62	532124872	Cover, Pedal
14	810040400	Washer Lock Hvy Helical	63	532145868	Pulley, Engine
15	874490544	Bolt Hex Flghd. 5/16-18 Gr.5	65	810040700	Washer
16	873800500	Nut Lock Hex W/Ins. 5/16-18 Unc P	66	532154778	Keeper Belt Engine Hydro
19	873800600	Nut Lock Hex W/Wsh 3/8-16 Unc	71	532169183	Strap Torque Lh Hydro
20	532150280	Bolt, Hex 7/16-20 x 4-1/4	73	532169182	Strap Torque Rh Hydro
21	532130564	Knob Deluxe	74	<b>532137057</b>	Spacer, Axle
22	532169498	Rod, Brake Hydro	75	532121749	Washer 25/32 x 1-1/4 x 16 Ga.
23	532171258	Bracket Asm Anti Rot	76	812000001	E-Ring
24	873350600	Locknut	77	532123583	Key, Square
25	532106888	Spring, Brake Rod	78	532121748	Washer 25/32 x 1-5/8 x 16 Ga.
26	819131316	Washer	81	532165596	Shaft Asm Cross Tapered 510 20"
27	876020412	Pin Cotter 1/8 x 3/4 CAD.	82	532165711	Spring Torsion T/A
28	532145204	Rod, Parking Brake	83	819171216	Washer 17/32 x 3/4 x 16 Ga.
29	532071673	Cap, Parking Brake	84	532169594	Link Transaxle HB-0510
30	532169592	Bracket, Transaxle	89	532166602	Console, Shift
32	874760512	Bolt Hex Hd 5/16-18 Unc x 3/4	90	532124346	Nut, Self Thd Wsh Hd 1/4 Zinc
33	872140506	Bolt Carriage 5/16-18 UNC x 3/4	95	532170201	Control Asm. Bypass Hydro
34	532155071	Shaft, Foot Pedal	96	532124788	Retainer Spring 1" Zinc/Cad
35	532120183	Bearing, Nylon	144	819111016	Washer 11/32 x 5/8 x 16 Ga
36	819211616	Washer	150	532165850	Bushing Bellcrank Grd Drive
37	532124963	Pin, Roll	151	819133210	Washer 13/32 x 2 x 10 Ga.
38	532131494	Pulley, Idler, Flat	156	532166002	Washer Srrted 5/16ID x 1.125
39	<b>874760644</b>	Bolt Fin Hex 3/8-16 x 2-3/4	158	532165589	Bracket Shift Mount
40	532124965	Spacer Split	159	532165494	Hub Tapered Flange Shift Lt
41	532165838	Keeper, Belt Idler Flat	161	872140406	Bolt Rdhd Sqnk 1/4-20 x 3/4 Gr 5
42	819131312	Washer 13/32 x 13/16 x 12 Gauge	162	873680400	Nut Crownlock 1/4-20 Unc
47	532127783	Pulley, Idler, V-Groove	163	874780416	Bolt Hex Fin 1/4-20 Unc x 1 Gr 5
48	532154407	Bellcrank Grnd Clutch	164	819091010	Washer 5/8 x .281 x 10 Ga
49	532123205	Retainer, Belt	165	532165623	Bracket Pivot Lever
50	874760624	Bolt	166	532166880	Screw 5/16-18 x 5/8
51	873680600	Nut	168	532165492	Bolt Shoulxder 5/16-18 x .561
52	873680500	Nut Crown Lock 5/16-18	169	532165580	Plate Fasteneing Lt
53	532105710	Link, Clutch	197	532169613	Nylinder Snap-In
55	532105709	Spring, Return, Clutch	198	532169593	Washer Nyl. 7/8 ID x .105"
56	874760620	Bolt	199	532169612	Bolt Shoulder 5/16-18
			200	872140508	Bolt Rdhd Sqnk 5/16-18 x 1
			202	872110612	Bolt Carr Sh 3/8-16 x 1-1/2 Gr 5

**NOTE:** All component dimensions given in U.S. inches  
1 inch = 25.4 mm.

# REPAIR PARTS

TRACTOR - MODEL NO. LT16A (J816H42H), PRODUCT NO. 954 13 00-48

## STEERING ASSEMBLY





# REPAIR PARTS

TRACTOR - MODEL NO. LT16A (J816H42H), PRODUCT NO. 954 13 00-48

## STEERING ASSEMBLY

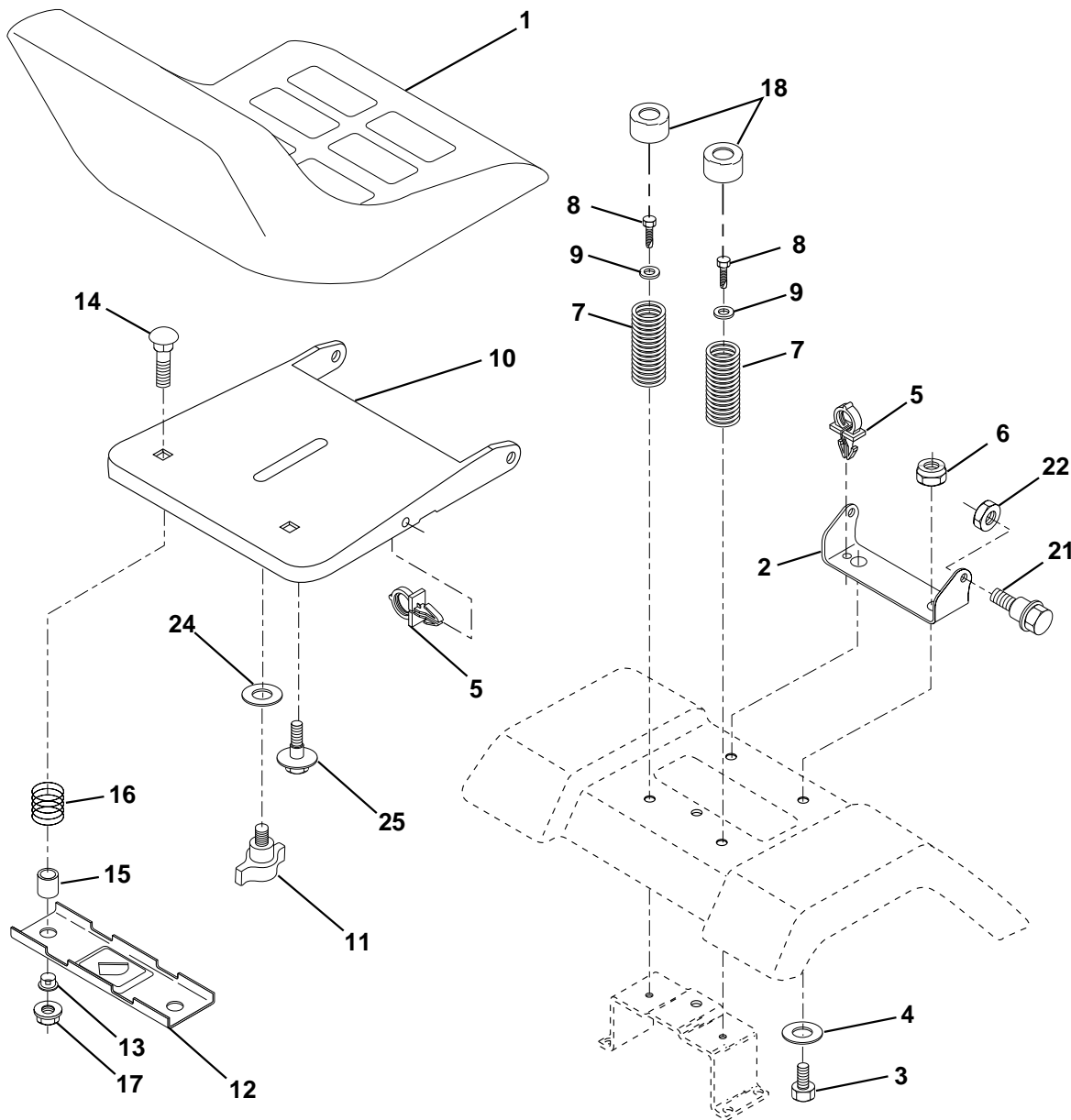
KEY NO.	PART NO.	DESCRIPTION
1	532172092	Wheel Steering
2	<b>532172393</b>	Axle Front Cast Iron
3	532169840	Spindle Asm LH
4	532169839	Spindle Asm Stmp RH
5	532124931	Bearing Race Thrust Harden
6	532121748	Washer 25/32 X 1-5/8 X 16 Ga
8	812000029	Ring Klip #t5304-75
10	532169832	Link Drag 15" Tires
11	810040600	Washer Lock Hvy Hlcl Spr 3/8
12	<b>873940800</b>	Nut Hex Jam Top Lock 1/2-20
13	532136518	Spacer Bearing Axle Front
15	532145212	Nut Hex Flange Lock
17	<b>532156543</b>	Shaft Asm Strg
18	532057079	Washer Thrust 515x 750x 033
19	532160395	Support Shaft Steering
22	532165857	Screw Hex Wsh hd Torx
23	532165851	Shaft Asm Pittman
25	532154406	Bracket Steering
27	532136874	Gear Sector 22 Teeth
29	817060612	Screw 3/8-16 x .75 SMGML
32	<b>532171888</b>	Rod Asm Tie Ball J Solid
33	819111216	Washer 11/32 x 3/4 x 16 Ga.
34	810040500	Washer Lock Hvy HLCL Spr. 5/16
35	<b>873540500</b>	Nut Crown Lock 5/16-24
36	<b>532155105</b>	Bushing Strg
37	532152927	Screw TT #32.5 x 5 x 3/8 Flange
38	532172093	Cap Wheel Steer
40	532124701	Nut Lock Center 3/8-24 Unf
41	532159945	Adaptor Wheel Strg
42	<b>532177149</b>	Boot Dash Steering
43	532121749	Washer 25/32 X 1 1/4 X 16 Ga
46	532121232	Cap Spindle Fr Top Blk
62	<b>532167905</b>	Steering Assembly
65	532160367	Spacer
66	532154404	Bearing Arm Pittman
67	<b>872140618</b>	Bolt Rdhd Sqnk 3/8-16 x 2-1/4
68	532169827	Brace, Axle
72	<b>819182411</b>	Washer 9/16 x 1-1/20 D.11G
73	<b>532160135</b>	Extension Steering
79	819132012	Washer 13/32 x 1-1/4 x 12 Ga
80	874950612	Bolt Hex Nylon 3/8-16 x 3/4
82	532169835	Bracket Susp Chassis
87	<b>532173966</b>	Washer Flat .781 x 1-1/2 x .14

**NOTE:** All component dimensions given in U.S. inches  
1 inch = 25.4 mm.

# REPAIR PARTS

TRACTOR - MODEL NO. LT16A (J816H42H), PRODUCT NO. 954 13 00-48

## SEAT ASSEMBLY



KEY NO.	PART NO.	DESCRIPTION
1	532140118	Seat
2	532140551	Bracket Pivot Seat 8 720
3	871110616	Bolt Hex 3/8-16unc x 1
4	819131610	Washer 13/32 X 1 X 10 Ga
5	532145006	Clip Push-In Hinged
6	873800600	Nut Lock Hex w/Ins. 3/8-16 Unc
7	532124181	Spring Seat Cprsn 2 250 Blk Zi
8	817000616	Screw 3/8-16 X 1.5 SMGML
9	819131614	Washer 13/32 X 1 X 14 Ga
10	<b>532174894</b>	Pan Seat
11	532166369	Knob Seat Adj Wingnut
12	532121246	Bracket Mounting Switch

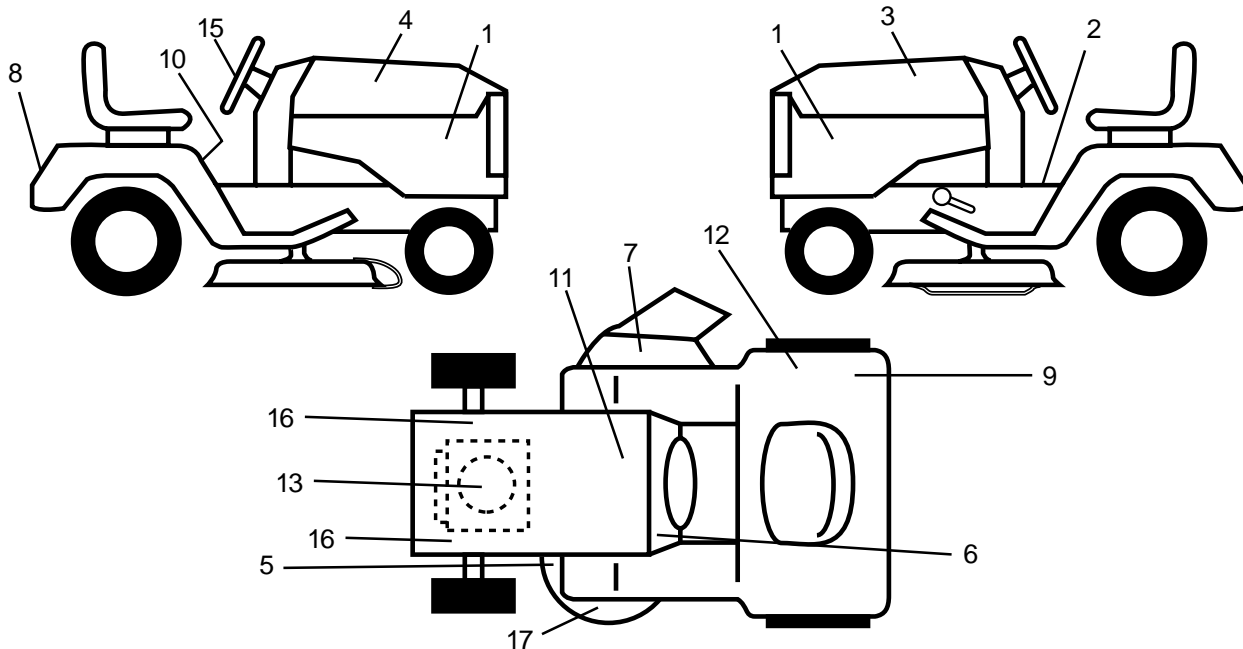
KEY NO.	PART NO.	DESCRIPTION
13	532121248	Bushing Snap Blk Nyl 50 Id
14	872050412	Bolt Rdhd Sht Nk 1/4-20x1-1/2
15	532121249	Spacer Split 28x 88 Zinc
16	532123740	Spring Cprsn 1 310 Blk Pnt
17	532123976	Nut Lock 1/4 Lge Flg Gr 5 Zinc
18	532124238	Cap Spring Seat
21	532171852	Bolt Shoulder 5/16-18 Unc-2A
22	873800500	Nut Lock 5/16-18
24	819171912	Washer 17/32 X 1-3/16 X 12 Ga
25	532127018	Bolt Shoulder 5/16-18 X 62

**NOTE:** All component dimensions given in U.S. inches  
1 inch = 25.4 mm.

# REPAIR PARTS

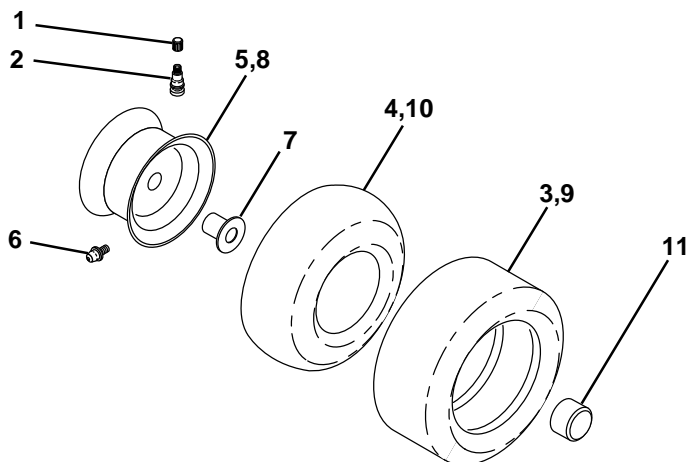
TRACTOR - MODEL NO. LT16A (J816H42H), PRODUCT NO. 954 13 00-48

## DECALS



KEY NO.	PART NO.	DESCRIPTION	KEY NO.	PART NO.	DESCRIPTION
1	532162927	Decal Hood Insert B&S White	13	<b>532176400</b>	Decal Engine
2	532140837	Decal, Brake Parking Sandle	15	532170565	Decal, Logo Steering Wheel Cap
3	<b>532175892</b>	Decal, Hood, L. H.	16	532159736	Decal, Chassis Hot Muffler
4	<b>532175891</b>	Decal, Hood, R.H.	17	532159737	Decal, Brake/Clutch Symbol LT
5	532160396	Decal, V-Belt Sch.	--	532162598	Decal, Drawbar Load Limit
6	<b>532176909</b>	Decal, Dash	--	532138311	Decal, Handle Lift Height Adjust. (Lift Handle)
7	532145494	Decal, Mower Cutoffinger Symbol	--	532169210	Decal, By-Pass Lt Hydro
8	532141761	Decal, Logo, Fender	--	532171284	Pad, Footrest LH
9	532126187	Decal, 100 DBA	--	532171285	Pad, Footrest RH
10	532145498	Decal, Read Owners Manual	--	<b>532176875</b>	Manual, Operator's (Euro)
11	532145005	Decal, Bat Dan/Poi P/L Sym	--	<b>532176876</b>	Manual, Operators, (Scan)
12	532145437	Decal, Europe Stand. CE Syms			

## WHEELS & TIRES



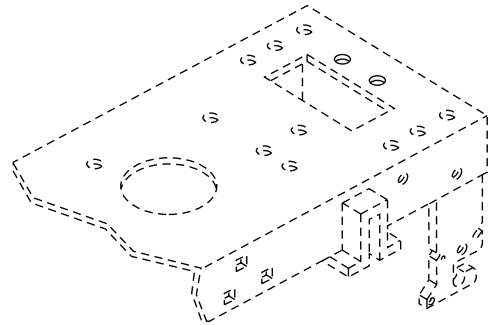
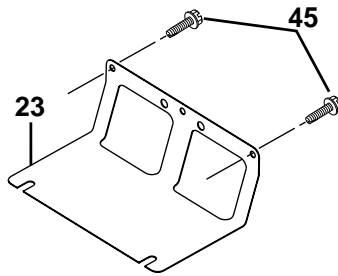
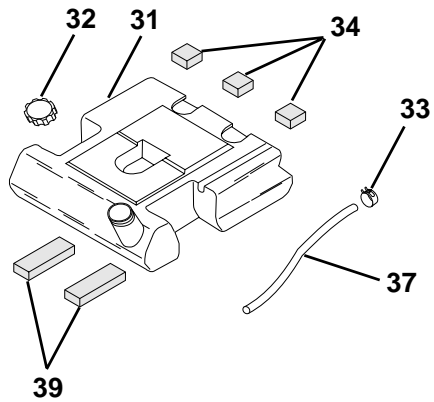
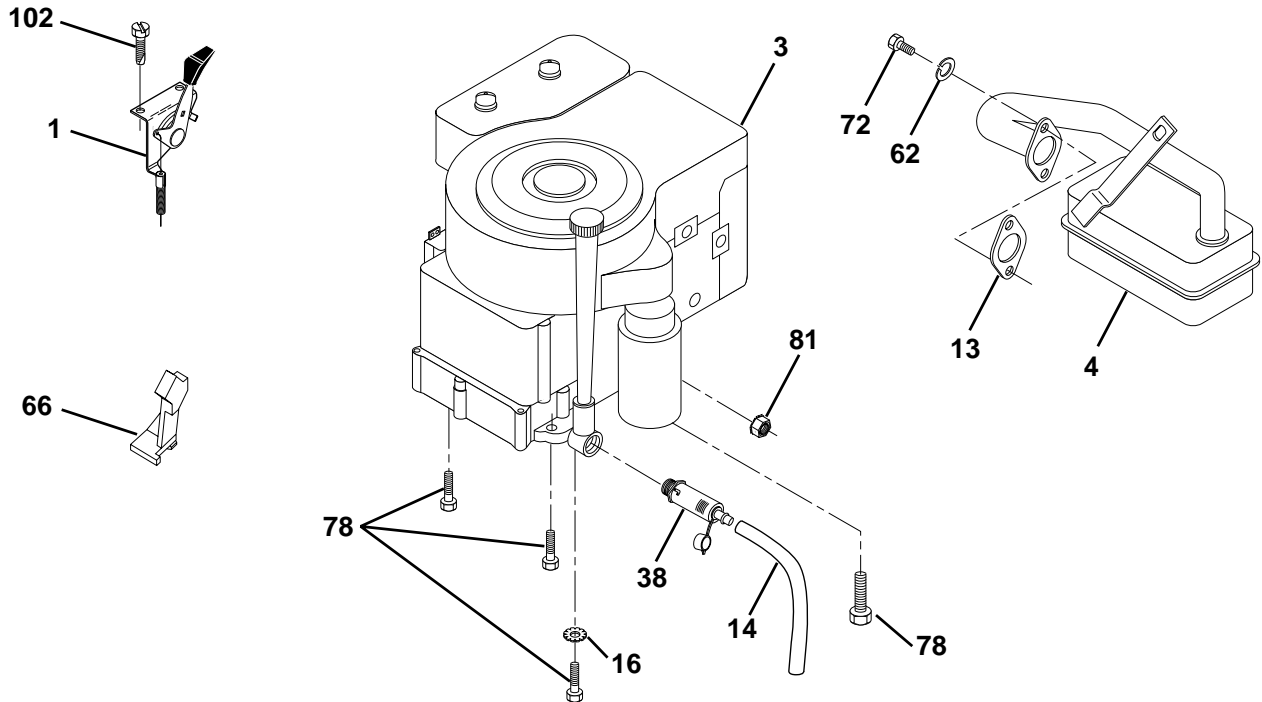
KEY NO.	PART NO.	DESCRIPTION
1	532059192	Cap Valve Tire
2	532065139	Stem Valve
3	532106222	Tire F Ts 15 X 6 0 - 6 Service
4	532059904	Tube Front (Service Item Only)
5	532138336	Rim Asm 6"front Silver Service
6	532124957	Fitting Grease (Front Wheel Only)
7	532124959	Bearing Flange (Front Wheel Only)
8	532138337	Rim Asm 8"rear Silver Service
9	532122082	Tire R Ts 20x10-8 C Service
10	532124926	Tube Rear (Service Item Only)
11	<b>532175039</b>	Cap Axle Blk 1 50 X 1 00
--	532144334	Sealant, Tire (10 oz. tube)

**NOTE:** All component dimensions given in U.S. inches  
1 inch = 25.4 mm

# REPAIR PARTS

TRACTOR - MODEL NO. LT16A (J816H42H), PRODUCT NO. 954 13 00-48

## ENGINE



29

**OPTIONAL EQUIPMENT**  
**Spark Arrester**

# REPAIR PARTS

TRACTOR - MODEL NO. LT16A (J816H42H), PRODUCT NO. 954 13 00-48

## ENGINE

KEY NO.	PART NO.	DESCRIPTION
1	<b>532173315</b>	Control Th/ch LH Blk
3	-----	Engine Briggs Model No. 311777 (Order parts from engine manufacturer)
4	532137352	Muffler LT B&S 14HP Ic/ohv
13	532165291	Gasket Eng
14	<b>532148456</b>	Tube Drain Oil Easy
16	811050600	Washer Lock Ext Tooth 3/8
23	532169837	Shield Browning/Debris Guard
29	532137180	Kit Spark Arrestor
31	<b>532157103</b>	Tank Fuel
32	532140527	Cap Asm Fuel Top Vented N/Lang
33	532123487	Clamp Hose Black
34	<b>532106082</b>	Pad Spacer 1 x 1 x 1
37	<b>532142158</b>	Line Fuel
38	<b>532148315</b>	Plug Drain Oil Easy
39	<b>532109227</b>	Pad Idler 1.75 x .75 x .06
45	<b>817000612</b>	Screw 3/8-16 x .75 SMGML
62	810040500	Washer Lock Hvy Hlcl Spr 5/16
66	532127951	Stop Throttle
72	871070512	Screw Hexhd Cap 5/16-18x3/4
78	817060620	Screw 3/8-16 x 1-1/4 SMGML
81	<b>873510400</b>	Nut Flange 1/4-20 Starter Nut
102	<b>532164863</b>	Screw HWHD Hi-Lo #13-16 x 3/4

**NOTE:** All component dimensions given in U.S. inches  
1 inch = 25.4 mm



# REPAIR PARTS

TRACTOR - MODEL NO. LT16A (J816H42H), PRODUCT NO. 954 13 00-48

## MOWER DECK

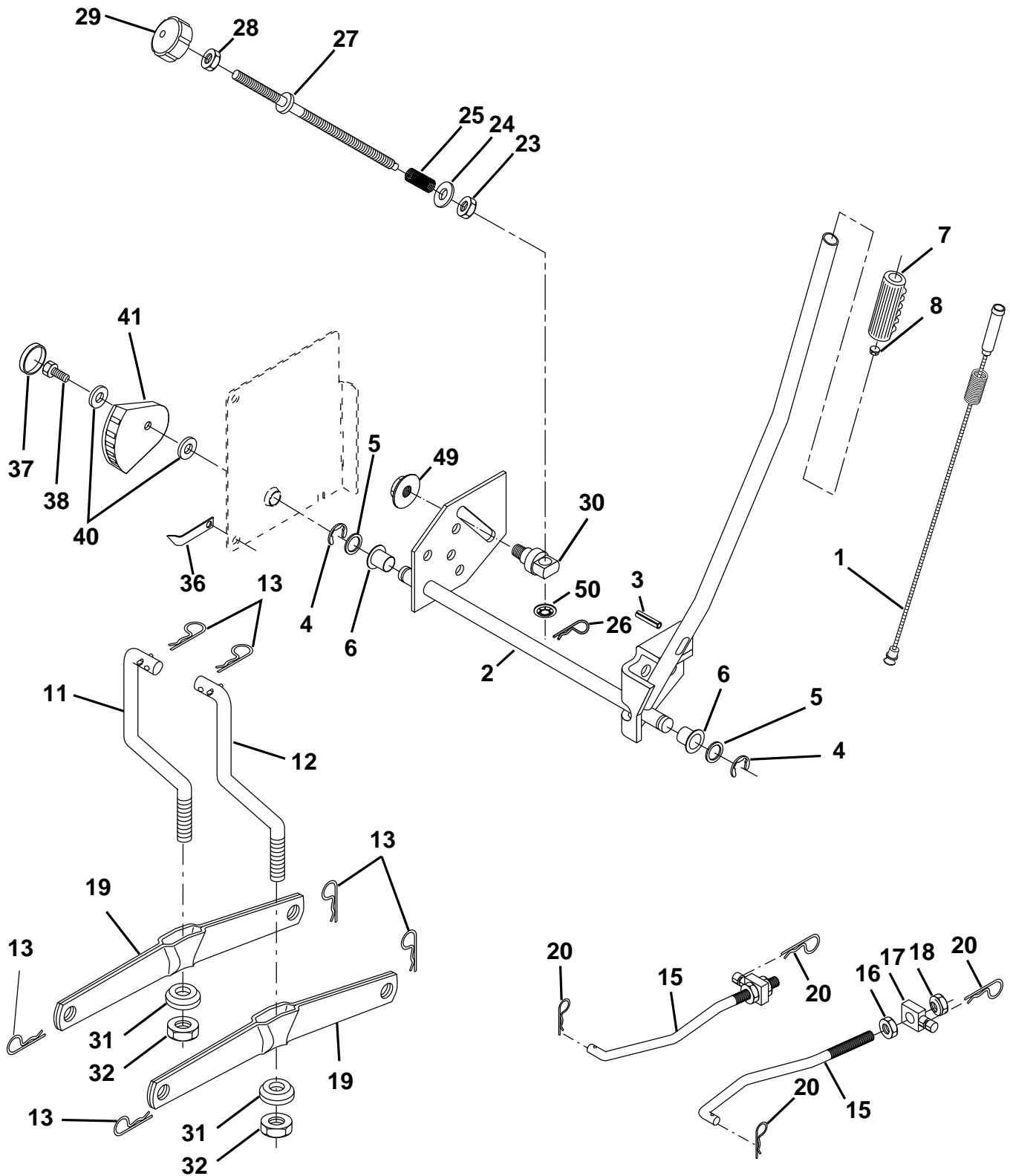
KEY NO.	PART NO.	DESCRIPTION	KEY NO.	PART NO.	DESCRIPTION
1	532165892	Housing Asm Mower 42"94 T-Path	56	532165723	Spacer Retainer Mower
2	872140506	Bolt Rdhd Sqnk 5/16-18unc X3/4	59	532141043	Guard, Belt
3	532138017	Bracket Asm Fr Sway Bar 38/42	61	532174882	Spring Ext. Elect
4	532165460	Bracket Asm Deck 42"sway Bar	68	532144959	V-Belt Mower
5	532124670	Retainer Spring	90	874760616	Bolt Fin Hex 3/8-16unc X 1
6	532130832	Arm Suspension Rear	91	532132274	Bracket Asm Noseroller LH
8	532850857	Bolt 3/8-24x1 25 Gr8 Patched	92	873800600	Nut Lock Hex w/ins. 3/8-16 UNC
9	810030600	Washer Lock Hvy 3/8 Unplated	93	819171416	Washer 17/32 X 7/8 X 16 Ga
10	532140296	Washer Hard Blade Mower Vented	94	532132264	Roller Nose 38 & 42
11	532138498	Blade Mower High Lift"	95	532132273	Bracket Asm Noseroller RH
13	532137645	Shaft Asm W/lower Bearing	111	532155197	Bracket Gauge Wheel Lh
14	532128774	Housing Mandrel Vented(machd)	112	532155198	Bracket Gauge Wheel Rh
15	532110485	Bearing Ball Mandrel	113	817060514	Screw 5/16-18
16	532140329	Stripper Round Mower	114	873510500	Nut Keps 5/16-18 UNC
18	872140505	Bolt Carr 5/16-18 X 5/8	115	872110504	Bolt Carriage 5/16-18unc x 1/2
19	532132827	Bolt Shoulder	116	532124842	Bolt Shoulder
20	532159770	Baffle Vortex 42	117	532165746	Wheel Gauge
21	873680500	Nut Crown Lock 5/16-18	118	873930600	Nut Centerlock 3/8-16 UNC
22	532134753	Stiffener Bracket 42"deck	119	819121414	Washer 3/8 x 7/8 x 14 Ga.
23	532131267	Bracket Deflector Mower 42"	121	532143723	Bracket Extruded Gauge Wheel
24	532105304	Cap Sleeve 80x 112 Blk Mower	129	819131312	Washer 13/32 x 13/16 x 12 Ga.
25	532123713	Spring Torsion Deflector 2 52	130	874780616	Bolt Fin Hex 3/8-16 UNC x 1 Gr. 5
26	532110452	Nut Push Phos & Oil	131	872140608	Bolt Rdhd Sqnk 3/8-16 UNC x1
27	532171859	Shield Deflector	143	532157109	Bracket Arm Idler
28	819111016	Washer 11/32 X 5/8 X 16 Ga	144	532158634	Keeper Belt
29	532131491	Rod Hinge 42"6 75 Wlg	145	532165888	Pulley Idler Flat
30	532157722	Screw Thd Rolling Washer Head	146	532171977	Bolt Carriage Idler
31	532129963	Washer Spacer Mower Vented	148	532169022	Spring Return Idler
32	532153535	Pulley Mandrel	149	532165898	Retainer Spring Yellow
33	532137266	Nut 9/16top Lock Fing Cntr	150	819091216	Washer 9/32 x 3/4 x 16
34	872110614	Bolt RDHD 3/8-16 x 1-3/4	159	872140614	Bolt RDHD SQN 3/8-16 x 1-3/4
35	532133835	Fastner Christmas Tree	--	532176207	Deck Serv 42" Elec Vent (Standard
36	532131494	Pulley Idler Flat 3 060			Deck - Order Nose Roller, Gauge
37	819131316	Washer 13/32 X 13/16 X 16 Ga			Wheel and Mulcher Plate
40	873680600	Nut Lock 3/8-16 Unc			components separately Key Nos.
44	532140088	Guard Mandrel LH Black			90-95, 101-106 and 111-121)
45	532124788	Retainer Spring	--	532130794	Mandrel Assembly (Includes Key
46	532137729	Screw Thdrol 1/4-20x5/8			Numbers 8-10, 12-15, 31 and 33)
54	532133943	Washer Hardened			
55	532155046	Arm Idler 42"mower LT/YT			

**NOTE:** All component dimensions given in U.S. inches  
1 inch = 25.4 mm

# REPAIR PARTS

TRACTOR - MODEL NO. LT16A (J816H42H), PRODUCT NO. 954 13 00-48

## MOWER LIFT





# REPAIR PARTS

TRACTOR - MODEL NO. LT16A (J816H42H), PRODUCT NO. 954 13 00-48

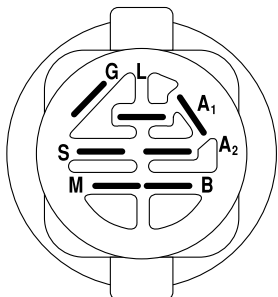
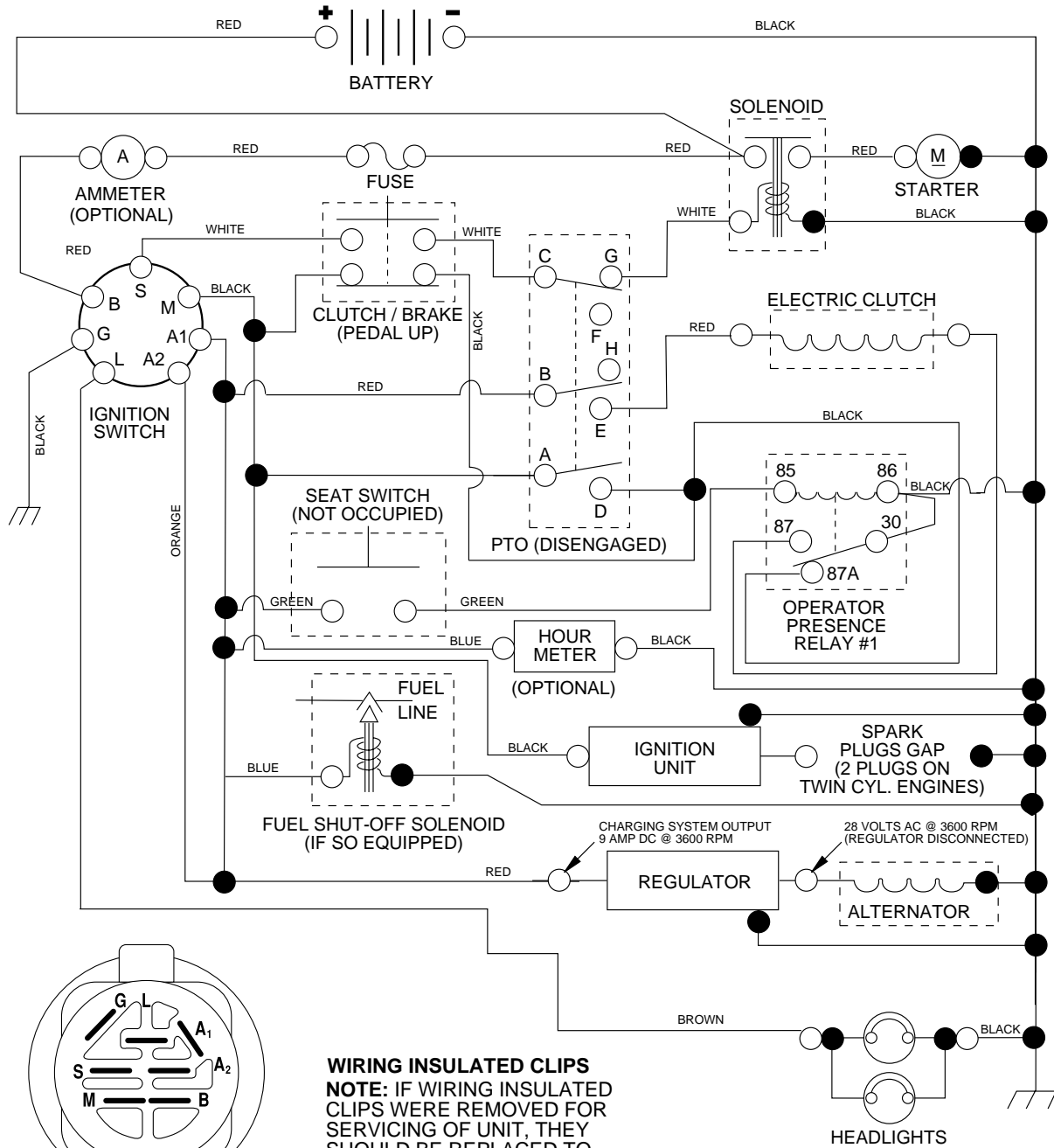
## MOWER LIFT

KEY NO.	PART NO.	DESCRIPTION
1	<b>532159461</b>	Wire Asm Inner/Sprg W/plunger LT
2	<b>532159476</b>	Shaft Asm Lift
3	<b>532138284</b>	Pin Groove
4	812000002	E Ring #5133-62
5	819211621	Washer 21/32 X 1 X 21 Ga.
6	532120183	Bearing Nylon Blk 629 Id
7	532125631	Grip Handle Fluted Blk
8	532122365	Button Plunger Red
11	532139865	Link Lift LH Mower
12	532139866	Link Lift RH Mower
13	532124670	Retainer Spring
15	<b>532173288</b>	Link Front
16	873350800	Nut Jam Hex 1/2-13 Unc
17	532130171	Trunnion Blk Zinc
18	873800800	Nut Lock W/wsh 1/2-13unc
19	532139868	Arm Suspension Rear
20	532163552	Retainer Spring
23	532110807	Nut Special
24	819131016	Washer 13/32 x 5/8 x 16 Ga.
25	<b>532164024</b>	Spring Comp Infinite
26	532169484	Retainer Clip
27	<b>532164543</b>	Rod Adj Lift
28	873350600	Nut Hex Jam 3/8-16 UNC
29	532138057	Knob Inf 3/8-16 UNC
30	532150233	Trunnion Inf. Height
31	<b>532169865</b>	Bearing Put Lift
32	873540600	Nut Crownlock 3/8-24
36	532155097	Pointer Height Ind
37	532123935	Plug Hole
38	817060516	Screw 5/16-18 x 1 SMGML Tap/R
40	819112410	Washer 11/32 x 1-1/2 x 10 Ga.
41	532155098	Ind Height STLT
49	532145212	Nut, Hex Flange Lock
50	532110452	Nut Push Phos & Oil

**NOTE:** All component dimensions given in U.S. inches  
1 inch = 25.4 mm

# TRACTOR - MODEL NO. LT16A (J816H42H), PRODUCT NO. 954 13 00-48

## SCHEMATIC



**IGNITION SWITCH**

POSITION	CIRCUIT	"MAKE"
OFF	M+G+A1	NONE
RUN/LIGHT	B+A1	A2+L
RUN	B+A1	NONE
START	B + S + A1	NONE

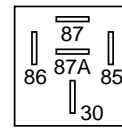
**WIRING INSULATED CLIPS**

NOTE: IF WIRING INSULATED CLIPS WERE REMOVED FOR SERVICING OF UNIT, THEY SHOULD BE REPLACED TO PROPERLY SECURE YOUR WIRING.

**PTO SWITCH**

POSITION	CIRCUIT
OFF	C + G, B + H
ON	C + F, B + E, A + D

● NON-REMOVABLE CONNECTIONS  
○ REMOVABLE CONNECTIONS



**RELAY**

